



Cat. No : **NL 1341**

CATEGORY :

Type : LED Track Mounted Spot Light .

PRODUCT CONSTRUCTION :

Housing : Aluminum Die Cast
Finish : White
Protection : IP20

DIMENSION :

Diameter : Ø82mm
Height : 115mm

OPTICAL SYSTEM

Type : Reflector
Beam Angle : 28°
Beam Direction :
Tilt : 90°
Swivel : 350°
Efficiency : High
Material : PC

CONTROL

Switching
Non Dimmable

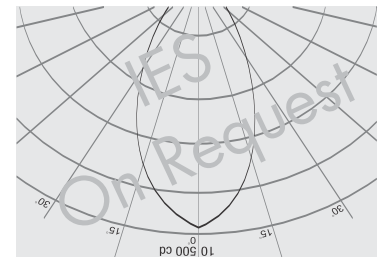
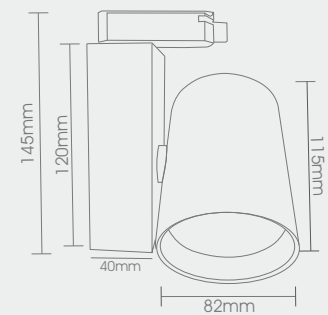
ELECTRICAL PARAMETER / CHARACTERISTIC :

Driver Input Voltage : 100-240V AC 50/60Hz
Constant Current

Input Power : 35W
Output Power: 32W
Power Factor : >0.97
THD : <12%
Control Gear : Osram

LED DETAIL :

Light Source Type : COB
Light Source Make : Citizen | Samsung
Wattage : 25W | 32W
Driving Current : 40V-600ma | 40V-800ma
Color Temp : 3000K, 4000K, 6000K CCT
Lumen : 25W-3K(2500lm), 4K(2575lm), 6K(2652lm)
32W-3K(3520lm), 4K(3626lm), 6K(3735lm)
Color Round Index (CRI) : >80
Efficacy : 100m | W.
LED Life : 40,000 Hrs.



Project Detail : _____

Ref : _____

Date : _____

Rev : _____

