



Cat. No : **NL 1412**

### OPTICAL SYSTEM

Type : Reflector  
 Beam Angle : Narrow, Medium, Wide  
 Beam Direction : Fixed  
 Tilt :  
 Swivel :  
 Efficiency :  
 Material : PC with Vacuum Materialized

### CONTROL

Switching  
 Dimming :  
 1-10 Analog  
 0-10 Analog  
 Dsi  
 Dali  
 Triac  
 Leading & Trailing

### DIMENSION :

Diameter : 45x45mm  
 Cut Out : 49mm  
 Depth : 37x37mm

### PRODUCT CONSTRUCTION :

Housing : Aluminum Die Cast  
 Finish : White (Other Colors Available On Request)  
 Protection : IP20

### ELECTRICAL PARAMETER / CHARACTERISTIC :

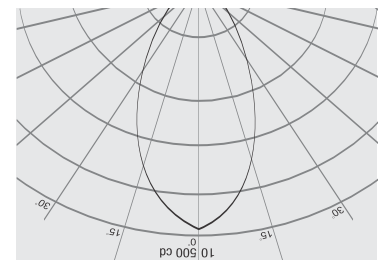
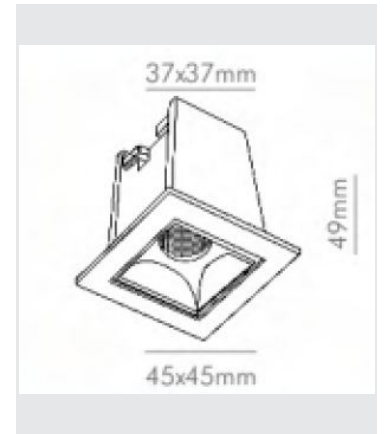
Driver Input Voltage : 100-240V AC 50/60Hz  
 Constant Current  
 Input Power : 3W  
 Output Power : 2W  
 Power Factor : >0.90  
 THD : <15%  
 Control Gear : Remote Along With Fixture

### LED DETAIL :

Light Source Type : Hi-Power  
 Light Source Make :  
 Wattage : 1x2W  
 Driving Current : 5V-700ma  
 Color Temp : 3000K CCT  
 Color Rendering Index (CRI) : >80  
 Lumen : 375lm  
 Efficacy : 125 | W  
 LED Life : 40,000 Hrs.

### CATEGORY :

Type : Ceiling Recessed Fixed Spot Light



Project Detail : \_\_\_\_\_

Ref : \_\_\_\_\_

Date : \_\_\_\_\_

Rev : \_\_\_\_\_

