

INDOOR

Wall Washer Light

NIRVANALIGHT[®]
Enlighten Your Life



Cat. No : **NL 1417**

CATEGORY :

Type : Ceiling Recessed Wall Washer Light

PRODUCT CONSTRUCTION :

Housing : Aluminum Die Cast

Finish : White

Protection : IP20

DIMENSION :

Dia : 280x45mm

Cutout : 273x37mm

Depth : 49mm

OPTICAL SYSTEM

Type : Diffuser

Beam Angle : Wide

Beam Direction : Wall Wash

Tilt : No

Swivel : No

Efficiency : High

Material : PMMA

CONTROL

Switching

Dimming :

1-10 Analog

0-10 Analog

Dali

Triac

Leading & Trailing

ELECTRICAL PARAMETER / CHARACTERISTIC :

Driver Input Voltage : 100-240V AC 50/60Hz
Constant Current

Input Power : 18W

Output Power : 17W

Power Factor : >0.9

THD : <15%

Control Gear : Remote Located

LED DETAIL :

Light Source Type : Hi-Power

Wattage : 17W

Driving Current : 40V-500mA

Color Temp : 3K, 4K, 6K

Lumen : 3K(1870lm) | 4K(1928lm) 6k(1984lm)

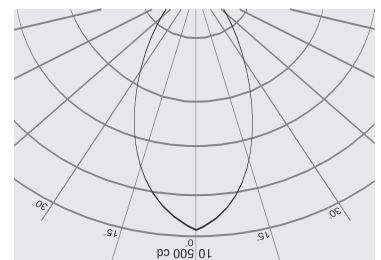
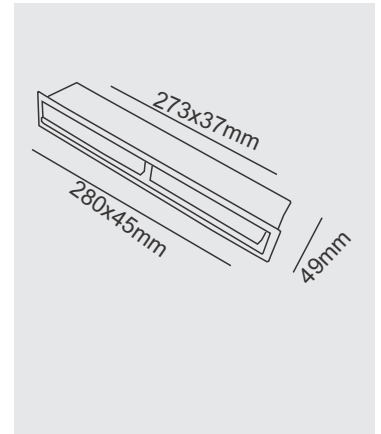
Color Rendering Index (CRI) : >80

Efficacy : 100lm/W

LED Life : 40,000 Hrs.

APPLICATIONS :

- Residence
- Offices
- Malls
- Public Area Lighting
- Restaurant
- Airport



Project Detail : _____

Ref : _____

Date : _____

Rev : _____

